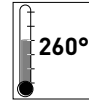


# Detector Switches

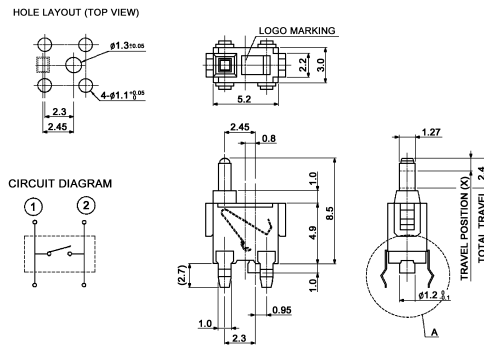


## Specifications:

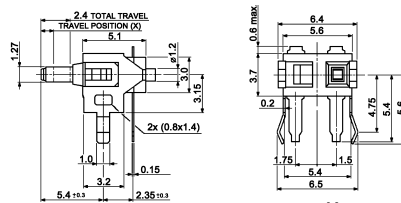
Contact rating:	5V DC, 10 mA
Contact resistance:	< 0.5 Ω
Insulation resistance:	> 100 MΩ
Dielectric strength:	100 V, 50 Hz for the duration of 1 minute
Operating temperature:	-10 °C to +60 °C (DTS 103 CP-R: -40 °C to +85 °C)
Operating force:	< 0.35 N
Mechanical life:	minimum 50 000 operations
Material:	Contacts: phosphor-bronze, silver-plated Terminals: brass, silver-plated Case and actuator: PA, LCP

## Models: Switching functions

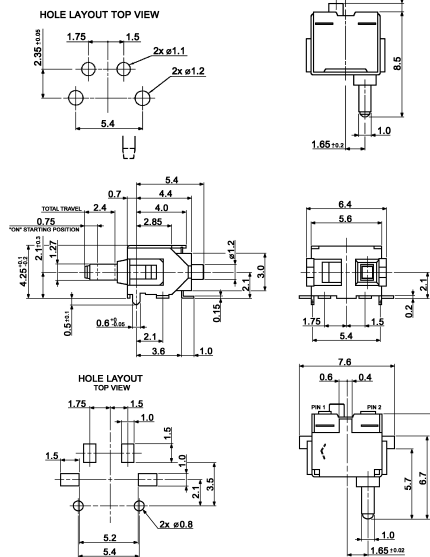
DTS 03 off – mom



DT 103 CP-R off – mom



DTS 103 CP-R off – mom



Packing: 1000 pcs/bag

